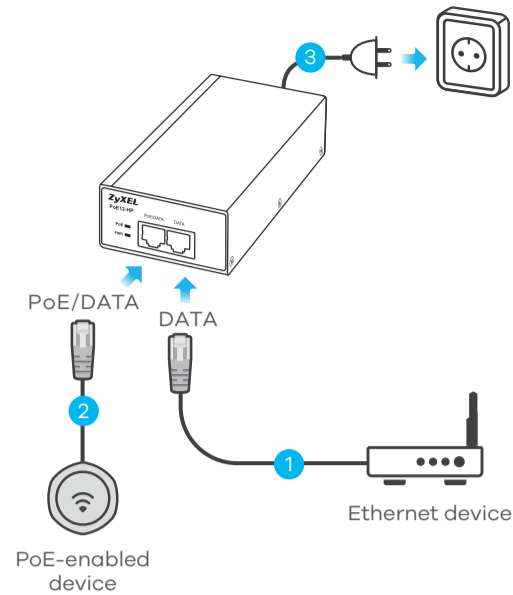


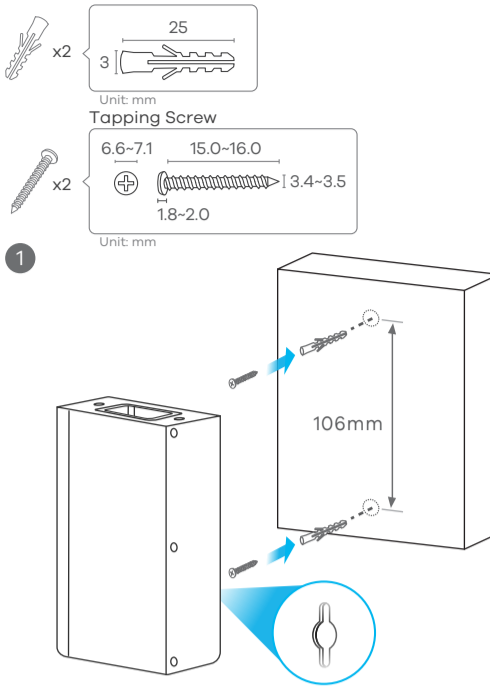
User's Guide

ENGLISH | DEUTSCH | ESPAÑOL | FRANÇAIS
ITALIANO | РУССКИЙ | 繁體中文

1 Connecting the PoE12-HP



Wall Mounting (Optional)



LEDs

| | | | |
|-----|-------|------------|-----------------------------------------------|
| PoE | Green | Blinking - | The PoE12-HP is detecting PoE-enabled device. |
| | — | On - | PoE power is supplied. |
| PWR | Green | On - | The system is turned on. |
| | — | Off - | The system is off or has failed. |

Overview

The PoE12-HP is a one-port power injector, designed for use with 10/100/1000 BaseT Ethernet networks. The PoE12-HP injects DC power through the unused twisted-wires of a standard 8-pin CAT 5 cable. This increases flexibility in the positioning of a power over Ethernet (PoE) enabled device by eliminating the need for a nearby power source.

Key Features

- Complies IEEE802.3at and IEEE 802.3af.
- One RJ-45, 10/100/1000 Mbps PoE-enabled port.
- Ensures a constant power supply to a PoE-enabled device.
- Automatically detects if the connected device is PoE-enabled to avoid sending power to a non-PoE device.

See the User's Guide at www.zyxel.com for more information, including customer support and safety warnings.

EU Importer

Zyxel Communications A/S
Gladsaxevej 378, 2. th. 2860 Søborg, Denmark
<http://www.zyxel.dk>

US Importer

Zyxel Communications, Inc
1130 North Miller Street Anaheim, CA 92806-2001
<http://www.us.zyxel.com>

Copyright © 2019 Zyxel Communications Corp. All Rights Reserved.



EN

- ① The **DATA** port does not deliver power. Use an Ethernet cable to connect the PoE12-HP's **DATA** port to the LAN of an Ethernet device (such as an Ethernet switch).
- ② The **PoE/DATA** port sends power and Ethernet data to your PoE-enabled device. Use a straight-through Ethernet cable to connect the **PoE/DATA** port to your PoE-enabled device.
Note: The maximum Ethernet cable length is 100m.
- ③ Use the included power cord to connect the PoE12-HP's power socket to a power source (wall outlet or power strip).
Note: The **PWR** LED turns on green when the PoE12-HP is receiving power.

DE

- ① Der **DATA**-Anschluss liefert keinen Strom. Schließen Sie ein Ethernet-Kabel an den **DATA**-Anschluss des PoE12-HP und an den LAN-Anschluss eines Ethernet-Geräts (z. B. eines Ethernet-Switches) an.
- ② Der Anschluss **PoE/DATA** leitet den Strom über das Ethernetkabel zum PoE-fähigen Gerät. Verbinden Sie das PoE-fähige Gerät mit einem direkten Ethernetkabel an den Anschluss **PoE/DATA** an.
Note: Die maximale Länge des Ethernetkabels beträgt 100m.
- ③ Schließen Sie das mitgelieferte Stromkabel an den Netzanschluss und an das Stromnetz an (Wandsteckdose oder Steckdosenleiste).
Note: Die **PWR**-LED wird grün, sobald der Anschluss PoE12-HP mit Strom versorgt.

EN

- ① Screw the two screws provided with your PoE12-HP into the wall 106 mm apart. Use screws with 6 mm ~ 8 mm (0.24" ~ 0.31") wide heads. Do not screw the screws all the way in to the wall; leave a small gap between the head of the screw and the wall.
- ② The gap must be big enough for the screw heads to slide into the screw slots and the connection cables to run down the back of the PoE12-HP.
Note: Make sure the screws are securely fixed to the wall and strong enough to hold the weight of the PoE12-HP with the connection cables.
- ③ Align the holes on the back of the PoE12-HP with the screws on the wall. Hang the PoE12-HP on the screws.

DE

- ① Schrauben Sie die zwei mit dem PoE12-HP mitgelieferten Schrauben in einem Abstand von 106 mm in die Wand. Verwenden Sie Schrauben mit 6 - 8 mm breiten Köpfen (0,24 - 0,31"). Drehen Sie die Schrauben nicht vollständig in die Wand. Zwischen dem Kopf der Schrauben und der Wand sollte ein kleiner Abstand bleiben.
- ② Der Abstand muss so groß sein, dass Sie das den PoE12-HP, dessen Schraublöcher sich an der Rückseite befinden, in den Schraubköpfen einhängen können.
Note: Stellen Sie sicher, dass die Schrauben sicher an der Wand angebracht und stark genug sind, um das Gewicht des PoE12-HP und der Anschlusskabel zu tragen.
- ③ Richten Sie die Löcher an der Rückseite des PoE12-HP an den Schrauben in der Wand aus. Hängen Sie den PoE12-HP an die Schrauben.

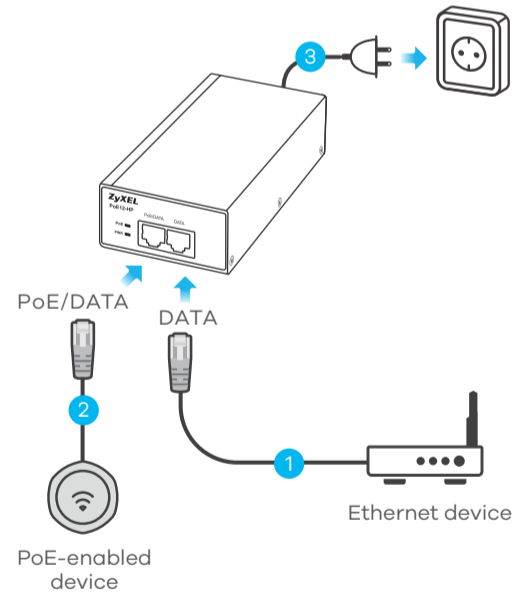
Troubleshooting

- EN** The **PWR** LED is off and/or power is not being supplied to my PoE-enabled device.
- Check to see that the power cord is securely connected to the PoE12-HP and an appropriate power source. Make sure the power source is on and functioning properly.
 - Refer to the **Connecting the PoE12-HP** section. Check that the Ethernet cables are connected properly and that you are using the correct type of Ethernet cable. Contact your local distributor if the problem persists.
- DE** Die **PWR**-LED leuchtet nicht und/oder das PoE-fähige Gerät wird nicht mit Strom versorgt.
- Prüfen Sie, ob das Netzkabel fest am PoE12-HP-Anschluss und an einer geeigneten Stromquelle angeschlossen ist. Stellen Sie sicher, dass die Stromquelle eingeschaltet ist und richtig funktioniert.
 - Lesen Sie nach im Abschnitt **Anschließen des PoE12-HP**. Prüfen Sie, ob der richtige Ethernetkabeltyp verwendet wurde und ob sie richtig angeschlossen sind. Wenn das Problem weiterhin bestehen bleibt, wenden Sie sich an einen Vertragshändler in Ihrer Nähe.

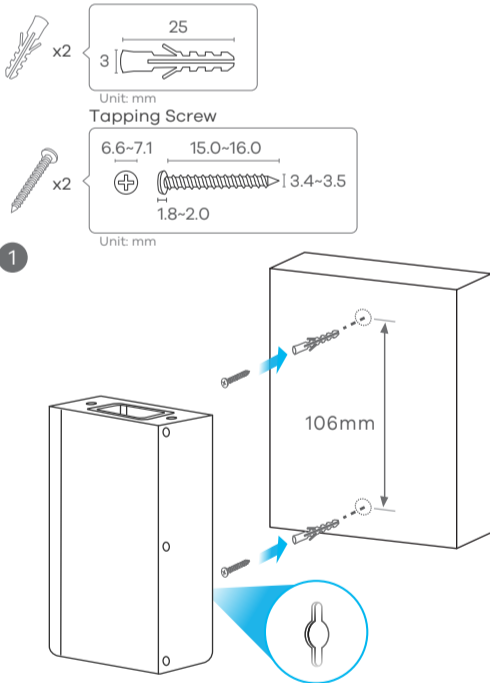
User's Guide

ENGLISH | DEUTSCH | ESPAÑOL | FRANÇAIS
ITALIANO | РУССКИЙ | 繁體中文

1 Connecting the PoE12-HP



Wall Mounting (Option)



LEDs

| | | | |
|-----|-------|------------|-----------------------------------------------|
| PoE | Green | Blinking - | The PoE12-HP is detecting PoE-enabled device. |
| | — | On - | PoE power is supplied. |
| PWR | Green | On - | The system is turned on. |
| | — | Off - | The system is off or has failed. |

Overview

The PoE12-HP is a one-port power injector, designed for use with 10/100/1000 BaseT Ethernet networks. The PoE12-HP injects DC power through the unused twisted-wires of a standard 8-pin CAT 5 cable. This increases flexibility in the positioning of a power over Ethernet (PoE) enabled device by eliminating the need for a nearby power source.

Key Features

- Complies IEEE802.3at and IEEE 802.3af.
- One RJ-45, 10/100/1000 Mbps PoE-enabled port.
- Ensures a constant power supply to a PoE-enabled device.
- Automatically detects if the connected device is PoE-enabled to avoid sending power to a non-PoE device.

See the User's Guide at www.zyxel.com for more information, including customer support and safety warnings.

EU Importer

Zyxel Communications A/S
Gladsaxevej 378, 2. th. 2860 Søborg, Denmark
<http://www.zyxel.dk>

US Importer

Zyxel Communications, Inc
1130 North Miller Street Anaheim, CA 92806-2001
<http://www.us.zyxel.com>

Copyright © 2019 Zyxel Communications Corp. All Rights Reserved.



ES

- ① El puerto **DATA** no envía corriente. Utilice un cable Ethernet para conectar el puerto **DATA** del PoE12-HP a la LAN de un dispositivo Ethernet (como un switch Ethernet).
- ② El puerto **PoE/DATA** envía corriente y Ethernet a su dispositivo con PoE. Utilice un cable directo Ethernet para conectar el puerto **PoE/DATA** a su dispositivo con PoE.
Note: La longitud máxima del cable Ethernet es 100m.
- ③ Utilice el cable de corriente incluido para conectar el zócalo de corriente a la fuente de alimentación (toma de corriente o regleta).
Note: El LED **PWR** se enciende en verde cuando el PoE12-HP está recibiendo energía.

FR

- ① Le port **DATA** ne délivre pas d'alimentation. Utilisez un câble Ethernet pour connecter le port **DATA** du PoE12-HP au LAN d'un périphérique Ethernet (par exemple un switch Ethernet).
- ② Le port **PoE/DATA** fournit l'alimentation et Ethernet à votre périphérique adapté PoE. Utilisez un câble Ethernet droit pour connecter le port **PoE/DATA** à votre périphérique adapté PoE.
Note: La longueur maximum du câble Ethernet est de 100m.
- ③ Utilisez le cordon d'alimentation fourni pour connecter la prise d'alimentation à une source d'alimentation (prise murale ou une prise multiple).
Note: La LED **PWR** devient verte quand le PoE12-HP est alimenté.

ES

- ① Atornille los dos tornillos incluidos con su PoE12-HP en la pared con 106mm de separación. Use los tornillos con cabezas de 6mm a 8mm (0,24" a 0,31") de ancho. No atornille los tornillos hasta el fondo en la pared; deje un pequeño hueco entre la cabeza del tornillo y la pared.
- ② El hueco debe ser lo suficientemente grande para que las cabezas de los tornillos puedan entrar en las ranuras de y los cables de conexión quepan a través de la parte posterior del PoE12-HP.
Note: Compruebe que los tornillos estén bien fijos en la pared y sean lo suficientemente fuertes como para soportar el peso del PoE12-HP con los cables de conexión.
- ③ Alinee los agujeros en la parte posterior del PoE12-HP con los tornillos en la pared. Cuelgue el PoE12-HP en los tornillos.

FR

- ① Vissez les deux vis fournies avec votre PoE12-HP dans le mur à 106 mm l'une de l'autre. Utilisez des vis de 6mm à 8mm (0,24" à 0,31") à tête large. Ne vissez pas complètement les vis dans le mur; laissez un petit espace entre la tête de la vis et le mur.
- ② L'espace doit être assez grand pour permettre aux têtes de vis de s'insérer dans les logements prévus et pour faire descendre les câbles de connexion derrière le PoE12-HP.
Note: Vérifiez que les vis sont correctement fixées au mur et assez solides pour supporter le poids du PoE12-HP avec les câbles de connexion.
- ③ Alignez les trous à l'arrière du PoE12-HP avec les vis sur le mur. Accrochez le PoE12-HP sur les vis.

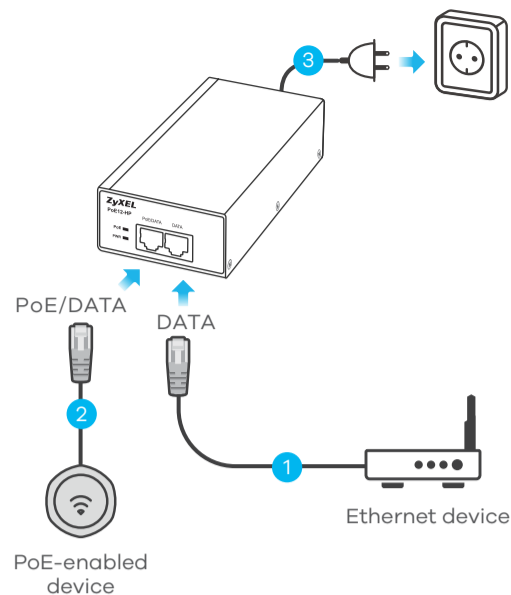
Troubleshooting

- ES** El LED **PWR** está apagado y/o la corriente no llega a mi dispositivo con PoE.
- Compruebe si el cable de alimentación está bien conectado al PoE12-HP y a una fuente de alimentación apropiada. Compruebe si la fuente de alimentación está encendida y si funciona correctamente.
 - Consulte la sección **Conectar el PoE12-HP**. Compruebe si los cables Ethernet están bien conectados y si está utilizando el tipo correcto de cable Ethernet. Contacte con su distribuidor local si el problema persiste.
- FR** La LED **PWR** est éteinte et/ou l'alimentation n'est pas fournie à mon périphérique adapté PoE.
- Vérifiez si le cordon d'alimentation est correctement connecté au PoE12-HP et à une source d'alimentation appropriée. Vérifiez si la source d'alimentation est allumée et fonctionne correctement.
 - Reportez-vous à la section **Connexion du PoE12-HP**. Vérifiez que les câbles Ethernet sont connectés correctement et que vous utilisez le type de câble Ethernet correct. Contactez votre distributeur local si le problème persiste.

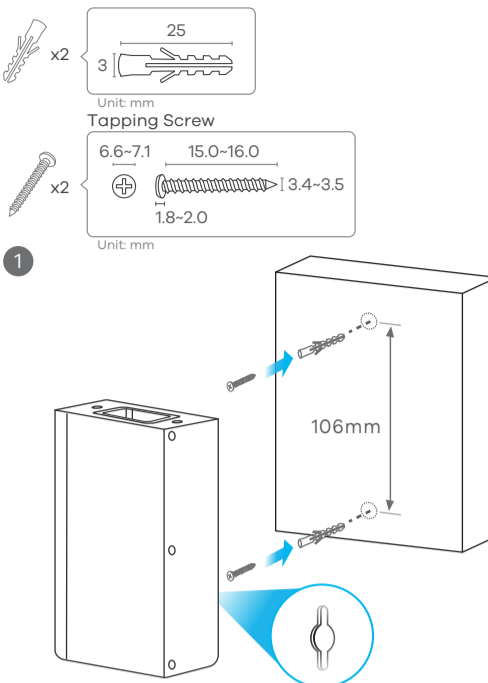
User's Guide

ENGLISH | DEUTSCH | ESPAÑOL | FRANÇAIS
ITALIANO | РУССКИЙ | 繁體中文

1 Connecting the PoE12-HP



Wall Mounting (Optional)



LEDs

| | |
|-----|-------------------------------------------------------------------|
| PoE | Green Blinking - The PoE12-HP is detecting PoE-enabled device. |
| | On - PoE power is supplied. |
| PWR | Green On - The system is turned on. |
| | Off - The system is off or has failed. |

- IT** ① La porta **DATA** non trasmette elettricità. Utilizzare un cavo Ethernet per collegare la porta **DATA** del PoE12-HP alla porta LAN di un dispositivo Ethernet (come ad esempio uno switch Ethernet).
- ② La porta **PoE/DATA** invia elettricità e dati Ethernet al dispositivo abilitato PoE. Utilizzare un cavo Ethernet passante diritto per collegare la porta **PoE/DATA** al dispositivo abilitato PoE.
Note : La lunghezza massima del cavo Ethernet è 100m.
- ③ Utilizzare il cavo di alimentazione in dotazione per collegare la presa di alimentazione ad una sorgente di alimentazione (presa a muro o ciabatta elettrica).
Note : Il LED **PWR** diventa di colore verde quando il PoE12-HP è alimentato.
- RU** ① Через порт **DATA** не подается питание. Используйте Ethernet кабель для подключения PoE12-HP порта **DATA** к сети LAN (ЛВС) Ethernet устройства (такого, как Ethernet коммутатор).
- ② Порт **PoE/DATA** одновременно передает данные и запитывает устройство, поддерживающее технологию PoE. Используйте "прямой" кабель Ethernet, чтобы подключить устройство, поддерживающее технологию PoE, к порту **PoE/DATA**.
Note : Максимальная длина кабеля Ethernet не должна превышать 100 м.
- ③ Используйте прилагаемый в комплекте кабель питания для подключения разъема питания к источнику электроэнергии (настенная розетка или удлинитель питания).
Note : **PWR** светодиод загорается зеленым цветом при PoE12-HP получает питание.

- IT** ① Fissare le due viti fornite a corredo con il PoE12-HP nella parete, a una distanza di 106mm. Usare viti con testa da 6 a 8mm (0,24" - 0,31"). Non avvitare completamente le viti nella parete, ma lasciare un piccolo spazio tra la testa della vite e il muro.
- ② Lo spazio deve essere abbastanza grande da consentire alle teste delle viti di scorrere nelle apposite fessure e ai cavi di connessione di scorrere lungo la parte posteriore del PoE12-HP.
Note : Assicurarsi che le viti siano saldamente fissate alla parete e che siano abbastanza robuste per sostenere il peso del PoE12-HP con i cavi di collegamento.
- ③ Allineare i fori presso la parte posteriore di PoE12-HP con le viti sulla parete. Appendere il PoE12-HP sulle viti.
- RU** ① Вкрутите в стену два винта, прилагаемые к вашему PoE12-HP, на расстоянии 106 мм. Используйте винты с диаметром головки 6 мм ~ 8 мм (0,24" ~ 0,31"). Не вкручивайте винты полностью в стену; оставьте небольшой зазор между головкой винта и стеной.
- ② Этот зазор должен быть достаточно большим, для того чтобы головки винтов вошли в пазы и соединительные кабели свободно проходили за задней панелью PoE12-HP.
Note : Проверьте надежность крепления винтов в стене и их способность выдержать вес PoE12-HP вместе с соединительными проводами. Совместите отверстия на задней панели PoE12-HP с винтами на стене. Подвесьте PoE12-HP на винтах.

Troubleshooting

- IT** Il LED **PWR** è spento e/o non viene fornita alimentazione al dispositivo abilitato PoE.
- Controllare per verificare che il cavo di alimentazione sia collegato correttamente al PoE12-HP e ad una adeguata sorgente di alimentazione. Assicurarsi che la sorgente di alimentazione sia attiva e funzioni correttamente.
 - Fare riferimento alla sezione **Collegamento del PoE12-HP**. Controllare che i cavi Ethernet siano collegati correttamente e che venga usato il tipo corretto di cavo Ethernet. Se il problema persiste, contattare il proprio distributore locale.
- RU** Светодиодный индикатор **PWR** не горит и/или не происходит подача питания на устройство, поддерживающее технологию PoE.
- Проверьте надежность подсоединения кабеля питания к адаптеру PoE12-HP и к соответствующему источнику электроэнергии. Проверьте наличие напряжения в электросети.
 - См. раздел **Подключение PoE12-HP**. Проверьте правильность подключения кабелей Ethernet и соответствие типа кабеля Ethernet. Если проблема не устранена, следует связаться с авторизованным сервисным центром ZyXEL или продавцом для ремонта или замены неисправного устройства.

Overview

The PoE12-HP is a one-port power injector, designed for use with 10/100/1000 BaseT Ethernet networks. The PoE12-HP injects DC power through the unused twisted-wires of a standard 8-pin CAT 5 cable. This increases flexibility in the positioning of a power over Ethernet (PoE) enabled device by eliminating the need for a nearby power source.

Key Features

- Complies IEEE802.3at and IEEE 802.3af.
- One RJ-45, 10/100/1000 Mbps PoE-enabled port.
- Ensures a constant power supply to a PoE-enabled device.
- Automatically detects if the connected device is PoE-enabled to avoid sending power to a non-PoE device.

See the User's Guide at www.zyxel.com for more information, including customer support and safety warnings.

EU Importer

Zyxel Communications A/S
Gladsaxevej 378, 2. th. 2860 Søborg, Denmark
<http://www.zyxel.dk>

US Importer

Zyxel Communications, Inc
1130 North Miller Street Anaheim, CA 92806-2001
<http://www.us.zyxel.com>

Copyright © 2019 Zyxel Communications Corp. All Rights Reserved.



Safety Warnings

- Do NOT use this product near water, for example, in a wet basement or near a swimming pool.
- Do NOT expose your device to dampness, dust or corrosive liquids.
- Do NOT store things on the device.
- Do NOT install, use, or service this device during a thunderstorm. There is a remote risk of electric shock from lightning.
- Connect ONLY suitable accessories to the device.
- Do NOT open the device or unit. Opening or removing covers can expose you to dangerous high voltage points or other risks. ONLY qualified service personnel should service or disassemble this device. Please contact your vendor for further information.
- Place connecting cables carefully so that no one will step on them or stumble over them.
- Always disconnect all cables from this device before servicing or disassembling.
- Use ONLY an appropriate power adaptor or cord for your device. Connect it to the right supply voltage (for example, 110V AC in North America or 230V AC in Europe).
- Do NOT allow anything to rest on the power adaptor or cord and do NOT place the product where anyone can walk on the power adaptor or cord.
- Do NOT use the device if the power adaptor or cord is damaged as it might cause electrocution.
- If the power adaptor or cord is damaged, remove it from the device and the power source.

- Do NOT attempt to repair the power adaptor or cord. Contact your local vendor to order a new one.
- Do not use the device outside, and make sure all the connections are indoors. There is a remote risk of electric shock from lightning.
- Do NOT obstruct the device ventilation slots, as insufficient airflow may harm your device.
- Make sure that the cable system is grounded so as to provide some protection against voltage surges.
- Make sure to connect the cables to the correct ports.
- Your product is marked with this symbol, which is known as the WEEE mark. WEEE stands for Waste Electronics and Electrical Equipment. It means that used electrical and electronic products should not be mixed with general waste. Used electrical and electronic equipment should be treated separately.



Certifications

Federal Communications Commission (FCC) Interference Statement

The device complies with Part 15 of FCC rules. Operation is subject to the following two conditions:

- This device may not cause harmful interference.
- This device must accept any interference received, including interference that may cause undesired operations.

This device has been tested and found to comply with the limits for a Class B digital device pursuant to Part 15 of the FCC Rules. These limits are designed to provide reasonable protection against harmful interference in a residential installation. This device generates, uses, and can radiate radio frequency energy, and if not installed and used in accordance with the instructions, may cause harmful interference to radio communications. However, there is no guarantee that interference will not occur in a particular installation.

If this device does cause harmful interference to radio/television reception, which can be determined by turning the device off and on, the user is encouraged to try to correct the interference by one or more of the following measures:

- Reorient or relocate the receiving antenna.
- Increase the separation between the equipment and the receiver.

- Connect the equipment into an outlet on a circuit different from that to which the receiver is connected.
 - Consult the dealer or an experienced radio/TV technician for help.
- FCC Caution: Any changes or modifications not expressly approved by the party responsible for compliance could void the user's authority to operate this equipment.

CE Mark Warning:

This is a class B product. In a domestic environment this product may cause radio interference in which case the user may be required to take adequate measures.

Notices

Changes or modifications not expressly approved by the party responsible for compliance could void the user's authority to operate the equipment.

Viewing Certifications

Go to <http://www.zyxel.com>.

Select your product on the ZyXEL home page to go to that product's page.
Select the certification you wish to view from this page.